

Neuson Fourwheel drive dumper

Technical Data

2001



Capacity

Max. safe load	2000 kg
Unladen weight	1810 kg
Skip - struck	930 l
- heaped	1210 l
- water level	680 l
- swing	180-217 °



Engine

Make	Yanmar
Type	3TNV82A
	3-cyl, watercooled
Output (Iso 3046/1)	22,1 (30) kw (hp)
Revolution	3000 min ⁻¹
Displacement	1331 ccm
Emission	acc. 97/68/EG



Drive characteristics

Speed	0 - 21 km/h
Steering angle	+/- 37 °
Oscillation	+/- 15 °
Turning radius outside	3500 mm
Gradeability	45 %



Transmission

Final Drive	hydr. automotive, TWIN-LOCK permanent 4 wheel drive, electo-hydraulic direct.control
Steering	hydrostatic center-pivot steering (load sensing)
Tyres	10.00/75x15,3 8 Ply Traction profile
Working brake	Hydrostatic
Parking brake	Wet disc in all 4 motors



Hydraulic System

Drive pump	axial piston pump
- flowrate	168 l/min
- oper. press.	420 bar
Working pump	gear pump
- flowrate	25 l/min
- oper. press.	175 bar



Tank capacity

Diesel	27 l
Hydraulic	28 l



Electric

Voltage	12 V
Battery	50 Ah
Alternator	40 A
Starter	1,2 kw

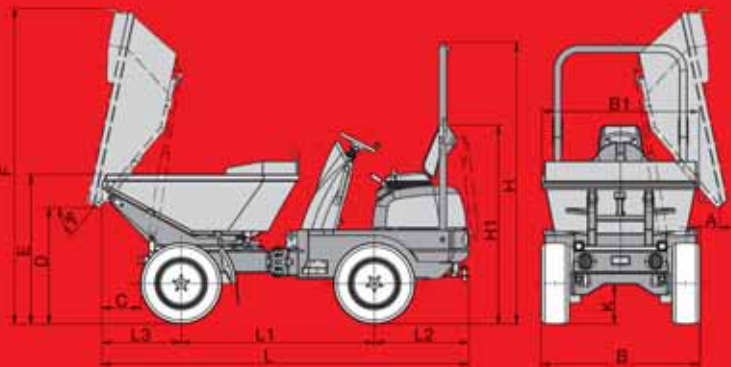


Noise Emission

Noise Level LWA (acc. 2000/14/EC)	101 dB(A)
-----------------------------------	-----------



Dimension



	A	B	B1	C	D	E	F
mm	180	1485	1470	350	1090	1400	3000
	H	H1	K	L	L1	L2	L3
mm	2650	1850	380	3420	1800	880	740



Features

- Compact dimensions allows operation in areas with restricted access
- Power swivel skip enabling discharge either side
- Excellent rough terrain performance from hydrost. permanent 4-wheel drive
- Heavy duty construction; skip with 5-8 mm steel plate, reinforced with box sections
- Simple and safe operation; drive direction switch on the steering column.
- Acceleration by foot pedal and braking from hydrost. retardation
- Wide, heavy duty center console protects driver legs,
- Simple and clear dashboard including fuel gauge, hourmeter, warning lights for-parking brake, oil filter,oil pressure,engine temperature
- Folding ROPS as standard
- Easy access for service maintenance
- Towing bracket as standard



Optional equipment

- Homologation kit
- Flashing Beacon
- Reversing Alarm
- Spare Wheel
- Biodegradeable hydraulic oil
- Trailer Socket
- Awning for control stand and seat

Neuson Baumaschinen GmbH
Haidfeldstraße 37
A-4060 Linz-Leonding
Tel. +43 (0) 732 90590-0
Fax +43 (0) 732 90590-200
e-Mail verkauf@neuson.com
www.neusonkramer.com

Neuson Ltd.
Crown Business Park,
Dukestown, Tredgar,
Gwent NP22 4EF
United Kingdom

Tel +44 (0) 1495 72 30 83
Fax +44 (0) 1495 71 39 41
e-Mail uksales@neuson.com
www.neusonkramer.com

Kramer-Werke GmbH
Nußdorfer Straße 50
D-88662 Überlingen
Tel. +49 (0) 7551 802-0
Fax +49 (0) 7551 802-260
e-Mail info@kramer.de
www.neusonkramer.com



We reserve the right to change the above specification w/o prior notice.
03/07 - Art.-Nr.: 1000142253



neuson®