

Neuson Fourwheel drive dumper

Technical Data



Capacity

	High tip	Swivel
Max. safe load	1500 kg	1500 kg
Unladen weight	1226 kg	1261 kg
Skip - struck	650 l	650 l
- heaped	800 l	800 l
- water level	420 l	325 l



Engine

Make	Yanmar	
Type	3TNV76	
	3-cyl, watercooled	
Output (Iso 3046/1)	18,9 (23,1) kw (hp)	
Revolution	3000 min ⁻¹	
Displacement	1116 ccm	
Emission	acc. 97/68/EG	



Drive characteristics

Speed	0 - 17 km/h
Steering angle	+/- 33 °
Oscillation	+/- 15 °
Turning radius outside	3300 mm
Gradeability	50 %



Transmission

Final Drive	hydr. automotive, TWIN-LOCK permanent 4 wheel drive, electro-hydraulic direct.control
Steering	hydrostatic center-pivot steering (load sensing)
Tyres	10.00/75x15 8 Ply Traction profile
Working brake	Hydrostatic
Parking brake	Wet disc in rear motors



Hydraulic System

Drive pump	axial piston pump	
- flowrate		135 l/min
- oper. press.		360 bar
Working pump	gear pump	
- flowrate		25 l/min
- oper. press.		170 bar



Tank capacity

Diesel	15 l
Hydraulic	20 l



Electric

Voltage	12 V
Battery	50 Ah
Alternator	20 A
Starter	1,2 kw



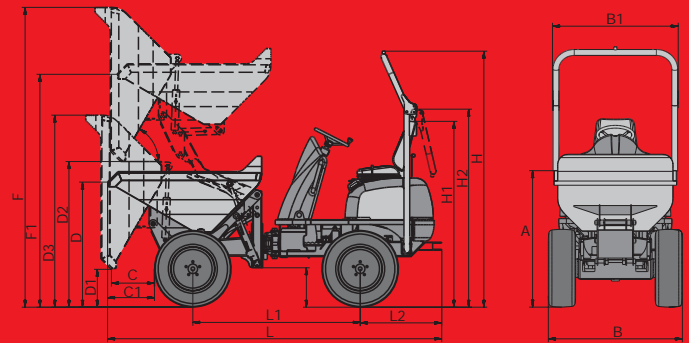
Noise Emission

Noise Level LWA (acc. 2000/14/EC)	1021 dB(A)
-----------------------------------	------------

1501



Dimension



	A	B	B1	C	C1	D	D1	D2	D2
mm	1345	1305	1235	400	440	1240	370	1450	1600
								(60°)	(43°)
	D3	F	F1	H	H1	H2	L	L1	L2
mm	1895	2975	2325	2550	1850	1995	3300	1650	810



Features

- Compact dimensions allows operation in areas with restricted access
- Power swivel skip enabling discharge either side
- Excellent rough terrain performance from hydrost. permanent 4-wheel drive
- Heavy duty construction; skip with 5-6 mm steel plate, reinforced with box sections
- Simple and safe operation; drive direction switch on the steering column.
- Acceleration by foot pedal and braking from hydrost. retardation
- Wide, heavy duty center console protects driver legs,
- Simple and clear dashboard including fuel gauge, hourmeter, warning lights for-parking brake, oil filter,oil pressure,engine temperature
- Folding ROPS as standard
- Easy access for service maintenance
- Towing bracket as standard
- Swivel and high tip dumpers available



Optional equipment

- Flashing Beacon
- Reversing Alarm
- Spare Wheel
- Biodegradeable hydraulic oil
- Awning for control stand and seat
- Homologation kit

Neuson Baumaschinen GmbH
Haidfeldstraße 37
A-4060 Linz-Leonding

Tel. +43 (0) 732 90 590-0
Fax +43 (0) 732 90 590-200

e-Mail verkauf@neuson.com
www.neusonkramer.com

Neuson Ltd.
Crown Business Park,
Dukestown, Tredegar,
Gwent NP22 4EF
United Kingdom

Tel +44 (0) 1495 72 30 83
Fax +44 (0) 1495 71 39 41

e-Mail uksales@neuson.com
www.neusonkramer.com

Kramer-Werke GmbH
Nußdorfer Straße 50
D-88662 Überlingen

Tel. +49 (0) 7551 802-0
Fax +49 (0) 7551 802-260

e-Mail info@kramer.de
www.neusonkramer.com



We reserve the right to change the above specification w/o prior notice.
03/07 - Art.-Nr.: 1000142249



neuson®