

TD 15

Agile, compact and reliable:
Transport performance, handling
and versatility at its best

Neuson Track Dumper TD 15



neuson[®]



Motor

Make	YANMAR 3TNV76-XNSV
Type	3 cyl. Watercooled Dieselmotor
Piston displacement / operational speed	1116 ccm/3000 U/min
max. engine output	17 kW (23,1 PS)
Flywheel output acc. to ISO (ISO 3046)	19,2 kW (26,2 PS)
Battery	12 V/45 Ah
Diesel tank volume	20 Liter



Hydraulic system

Pump	Double variable capacity pump + 1 gear pump
Pump capacity	39 + 39 + 19,32 l/min
Operat. press. for traversing hydraulics	250 bar
Operat. press. for working hydraulics	180 bar
Hydraulic tank volume	20 Liter



Traversing Gear

2 driving speeds	0–4,5 und 0–7 km/h
Gradeability	30° (58%)
Crawler width	250 mm
Width	990 mm
Number of track rollers	6 pieces each side
Ground clearance	238 mm



Skip

Struck	555 Liter
Heaped	700 Liter
Water level	555 Liter
Length	1597 mm
Width	866 mm
Depth (skip)	402 mm



Noise emission

Sound power level (LWA)	100 dB(A)
Sound pressure level (LPA)	80 dB(A)

Neuson Baumaschinen GmbH
 Haidfeldstraße 37
 A-4060 Linz-Leonding
 Tel. +43 (0)732 90 590-0
 Fax +43 (0)732 90 590-200
 e-Mail verkauf@neuson.com
www.neusonkramer.com

Kramer-Werke GmbH
 Nußdorfer Straße 50
 D-88662 Überlingen
 Tel. +49 (0)7551 802-0
 Fax +49 (0)7551 802-260
 e-Mail info@kramer.de
www.neusonkramer.com

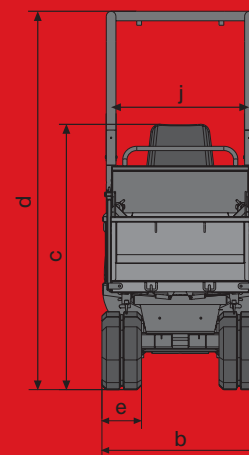
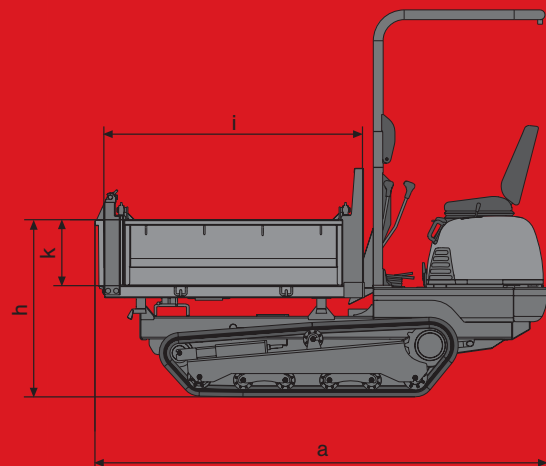
Neuson Ltd.
 Crown Business Park
 Dukestown, Tredgar
 Gwent. NP22 4EF
 United Kingdom
 Tel. +44 (0)1495 72 30 83
 Fax +44 (0)1495 71 39 41
 e-Mail uksales@neuson.com
www.neusonkramer.com



Capacity

Max. safe load	1500 kg
Unladen weight	1250 kg
Dimension	

a	Length	2793 mm
b	Width	990 mm
c	Height	1570 mm
d	Height (ROPS)	2370 mm
e	Crawler width	250 mm
h	Height (skip)	1090 mm
i	Length (skip)	1597 mm
j	Width (skip)	866 mm
k	Depth (skip)	402 mm



neuson®

TD 15-H

Agile, compact and reliable:
Transport performance, handling
and versatility at its best

Neuson Track Dumper TD 15-H



neuson[®]



Motor

Make	YANMAR 3TNV76-XNSV
Type	3 cyl. Watercooled Dieselmotor
Piston displacement / operational speed	1116 ccm/3000 U/min
Max. engine output	17 kW (23,1 PS)
Flywheel output acc. to ISO (ISO 3046)	19,2 kW (26,2 PS)
Battery	12 V/45 Ah
Diesel tank volume	20 Liter



Hydrauliksystem

Pump	Double variable capacity pump + 1 gear pump
Pump capacity	39 + 39 + 19,32 l/min
Operat. press. for traversing hydraulic	250 bar
Operat. press. for working hydraulics	180 bar
Hydraulic tank volume	20 Liter



Traversing Gear

2 driving speeds	0–4,5 und 0–7 km/h
Gradeability	30° (58%)
Crawler width	280 mm
Width	1270 mm
Number of track rollers	6 pieces each side
Ground clearance	238 mm



Skip

Struck	415 Liter
Heaped	525 Liter
Water level	275 Liter
Length	1290 mm
Width	920 mm
Depth (skip)	460 mm



Noise emission

Sound power level (LWA)	100 dB(A)
Sound pressure level (LPA)	80 dB(A)

Neuson Baumaschinen GmbH

Haidfeldstraße 37
A-4060 Linz-Leonding
Tel. +43 (0) 732 90 590-0
Fax +43 (0) 732 90 590-200
e-Mail verkauf@neuson.com
www.neusonkramer.com

Kramer-Werke GmbH

Nußdorfer Straße 50
D-88662 Überlingen
Tel. +49 (0) 7551 802-0
Fax +49 (0) 7551 802-260
e-Mail info@kramer.de
www.neusonkramer.com

Neuson Ltd.

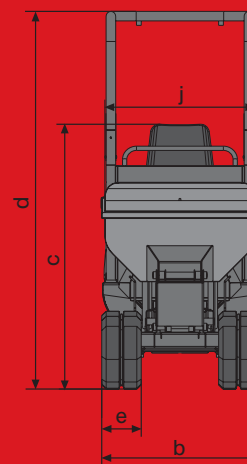
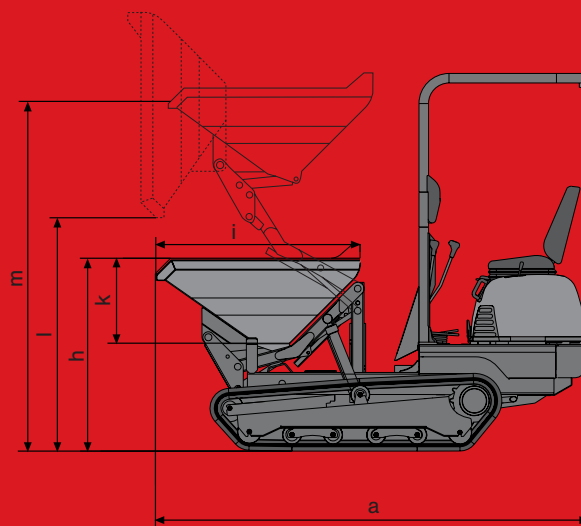
Crown Business Park
Dukestown, Tredegar
Gwent. NP22 4EF
United Kingdom
Tel. +44 (0) 1495 72 30 83
Fax +44 (0) 1495 71 39 41
e-Mail uksales@neuson.com
www.neusonkramer.com



Capacity

Max. safe load	1500 kg
Unladen weight	1250 kg
Dimension	

a	Length	2750 mm
b	Width	990 mm
c	Height	1570 mm
d	Height (ROPS)	2370 mm
e	Crawler width	250 mm
h	Height (skip)	1220 mm
i	Length (skip)	1290 mm
j	Width (skip)	920 mm
k	Depth (skip)	460 mm
l	Dumping height	1410 mm
m	max. height (skip)	2110 mm



neuson®