

TD 9-P

Agile, compact and reliable:
Transport performance, handling
and versatility at its best

Neuson Track Dumper TD9-P



neuson[®]



Motor

Make	HONDA GX390 K1 SX
Type	1 cyl. gasoline engine (aircooled)
Piston displacement/ operational speed	389 ccm/3600 U/min
Max. engine output	9,6 kW (13 PS)
Flywheel output acc. to ISO (ISO 3046)	8,7 kW (11,8 PS)
Gasoline tank volume	6,5 Liter



Hydraulic system

Pump	3 gear pump
Pump capacity	16,7 + 16,7 + 16,7 l/min
Operat. press. for traversing hydraulic	175 bar
Operat. press. for working hydraulics	175 bar
Hydraulic tank volume	20 Liter



Traversing Gear

2 driving speeds	2,0 und 4,0 km/h
Gradeability	30° (58%)
Crawler width	200 mm
Width	800 mm
Number of track rollers	3 pieces each side
Ground clearance	165 mm



Skip

Struck	402 Liter
Heaped	490 Liter
Water level	196 Liter
Length	1135 mm
Width	650 mm
Depth (skip)	540 mm



Self loading system type L (optional)

Width	800 mm
max. stroke below soil	130 mm
Length	2455 mm



Noise emission

Sound power level (LWA)	101 dB(A)
Sound pressure level (LPA)	83 dB(A)



E-starter (optional)

Battery	12 V/45 Ah
---------	------------

Neuson Baumaschinen GmbH

Haidfeldstraße 37
A-4060 Linz-Leonding
Tel. +43 (0)732 90 590-0
Fax +43 (0)732 90 590-200
e-Mail verkauf@neuson.com
www.neusonkramer.com

Kramer-Werke GmbH

Nußdorfer Straße 50
D-88662 Überlingen
Tel. +49(0)7551 802-0
Fax +49(0)7551 802-260
e-Mail info@kramer.de
www.neusonkramer.com

Neuson Ltd.

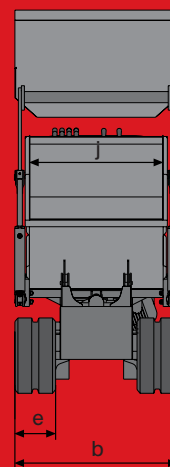
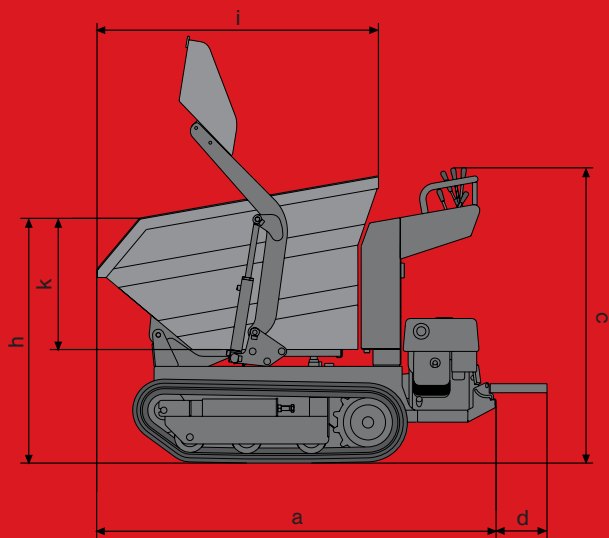
Crown Business Park
Dukestown, Tredegar
Gwent. NP22 4EF
United Kingdom
Tel. +44(0)1495 72 30 83
Fax +44(0)1495 71 39 41
e-Mail uksales@neuson.com
www.neusonkramer.com



Capacity

Max. safe load	900 kg
Unladen weight with self-loading-system	604 kg
Dimension	

a	Length	1830 mm
b	Width	800 mm
c	Height	1350 mm
d	Running board	250 mm
e	Crawler width	200 mm
h	Height (skip)	830 mm
i	Length (skip)	1135 mm
j	Width (skip)	650 mm
k	Depth (skip)	540 mm



TD 9-D

Agile, compact and reliable:
Transport performance, handling
and versatility at its best

Neuson Track Dumper TD9-D



neuson®



Motor

Make	YANMAR L100AE-DEVSDYC-4
Type	1 cyl. aircooled Dieselmotor
Piston displacement/ operational speed	406 ccm/3600 U/min
Max. engine output	7,4 kW (10 PS)
Flywheel output acc. to ISO (ISO 3046)	6,6 kW (9 PS)
Battery	12 V/30 Ah
Diesel tank volume	5,4 Liter



Hydraulic system

Pump	3 gear pump
Pump capacity	16,7 + 16,7 + 16,7 l/min
Operat. press. for traversing hydraulics	175 bar
Operat. press. for working hydraulics	175 bar
Hydraulic tank volume	20 Liter



Traversing Gear

2 driving speeds	2,0 und 4,0 km/h
Gradeability	30° (58 %)
Crawler width	200 mm
Width	800 mm
Number of track rollers	3 pieces each side
Ground clearance	165 mm



Skip

Struck	402 Liter
Heaped	490 Liter
Water level	196 Liter
Length	1135 mm
Width	650 mm
Depth (skip)	540 mm



Self loading system type L (optional)

Width	800 mm
max. stroke below soil	130 mm
Length	2455 mm



Noise emission

Sound power level (LWA)	101 dB(A)
Sound pressure level (LPA)	85 dB(A)



E-starter (standard)

Neuson Baumaschinen GmbH

Haidfeldstraße 37
A-4060 Linz-Leonding
Tel. +43 (0)732 90 590-0
Fax +43 (0)732 90 590-200
e-Mail verkauf@neuson.com
www.neusonkramer.com

Kramer-Werke GmbH

Nußdorfer Straße 50
D-88662 Überlingen
Tel. +49(0)7551 802-0
Fax +49(0)7551 802-260
e-Mail info@kramer.de
www.neusonkramer.com

Neuson Ltd.

Crown Business Park
Dukestown, Tredegar
Gwent. NP22 4EF
United Kingdom

Tel. +44 (0)1495 72 30 83
Fax +44 (0)1495 71 39 41

e-Mail uksales@neuson.com
www.neusonkramer.com



Capacity

Max. safe load	900 kg
Unladen weight with self-loading-system	604 kg
Dimension	

a	Length	1830 mm
b	Width	800 mm
c	Height	1350 mm
d	Running board	250 mm
e	Crawler width	200 mm
h	Height (skip)	830 mm
i	Length (skip)	1135 mm
j	Width (skip)	650 mm
k	Depth (skip)	540 mm

